

GRILE DE EXTERIOR CIRCULARE
CIRCULAR EXTERIOR LOUVRE

CU JALUZELE FIXE SI PLASA METALICA
WITH FIXED BLADES AND WIRE MESH

CODE / COD:

GV XC

Grile de exterior circulare cu jaluzele fixe inclinate la 45 grade, antiploaie, prevazute cu plasa metalica.
Utilizare: priza aer catre exterior (refulare sau aspiratie).
Circular exterior louvres with fixed 45 degree angle blades, with wire mesh, designed to prevent rain penetration.
Suitable for expelling used air or for fresh air supply.

Fixare: standard cu clipsuri.

Fixing: standard with clips.

Finisaj: standard aluminiu; finisaj in diverse nuante RAL disponibil ca optiune*.

Finish: standard aluminium ; RAL color finish available as option*.

Dimensiuni: sunt disponibile numai dimensiuni standard.

Dimensions: only standard sizes available.

Optional:

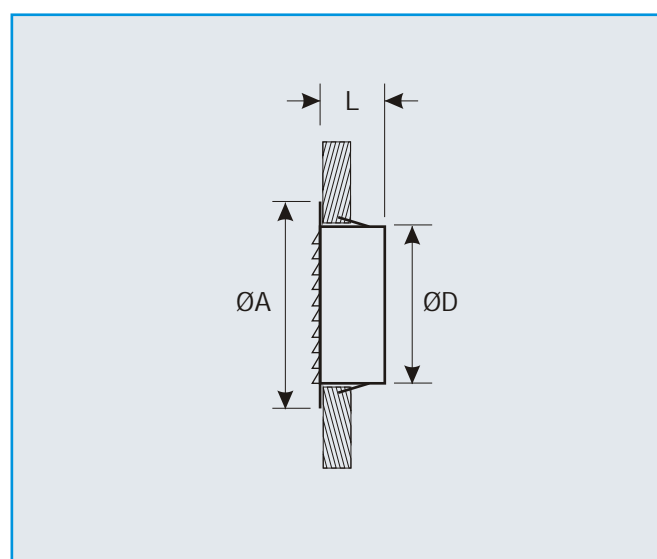
nu exista accesorii optionale

Options:

there are no optional accessories

* optiunile nu sunt incluse in pretul grilei; vezi subcapitolul optiuni

* options are not included in product price; see options subchapter



Dimensiuni standard grile GV XC:
Standard sizes for GV XC louvres:

Code	ØD	ØA	L
GVXC 100	98	126	45
GVXC 125	123	151	45
GVXC 150	148	176	45
GVXC 160	157	187	45

Code	ØD	ØA	L
GVXC 200	197	226	45
GVXC 250	248	276	55
GVXC 315	313	343	55

toate dimensiunile sunt in mm / all units are in mm

Cod de comanda: / Order code:

GV XC	125	ALU
cod produs / product code		
diametru gol montaj / opening size diameter		
ALU - aluminiu/aluminium - standard (sau daca nespecificat) / (or if not specified)		
RALxxxx - alte nuante RAL, optional / RAL colors available as an option**		

GRILE DE EXTERIOR CIRCULARE
CIRCULAR EXTERIOR LOUVRE

Tabel de selectie a grilelor GV XC
Selection table for GV XC louvres

Q (m ³ /h)	Ø (mm)	100		125		150		160		200		250		315	
		in/asp	out/ref	in/asp	out/ref	in/asp	out/ref	in/asp	out/ref	in/asp	out/ref	in/asp	out/ref	in/asp	out/ref
40	ΔP _i (Pa)	8	12												
60	ΔP _i (Pa)	20	28	2	10										
80	ΔP _i (Pa)	35	48	12	18	1	8	1	8						
100	ΔP _i (Pa)	52	>50	17	29	8	14	8	14						
125	ΔP _i (Pa)			25	40	13	18	13	18	2	4				
200	ΔP _i (Pa)					34	46	34	46	14	19	1	6		
300	ΔP _i (Pa)									30	40	13	17	4	8
400	ΔP _i (Pa)											30	35	13	17
500	ΔP _i (Pa)											38	45	17	27
600	ΔP _i (Pa)											50	>50	26	40

Q (m³/h) - debit / air volume

ΔP_i(Pa) - pierdere presiune statica / static pressure loss

in/asp - aspiratie aer din exterior / air intake from outside

out / ref - refulare aer spre exterior / air exhaust to outside