

GRILE DE TRANSFER  
TRANSFER GRILLE

TRANSFER AER, MONTAJ IN USA  
AIR TRANSFER, DOOR MOUNTING

CODE / COD:

GVA T

Grile cu jaluzele fixe in V intors, inclusiv contrarama.  
Utilizare: transferul liber al aerului intre doua incinte,  
cu montaj in usi cu grosimi cuprinse intre 29-60 mm.  
Grilles with fixed blades, V-shaped, with counterframe.  
Suitable for air transfer between two rooms, mounting  
in doors with 29-60 mm thickness.

**Fixare:** standard cu suruburi vizibile; fixarea fara  
suruburi vizibile disponibila ca optiune\*.

**Fixing:** standard with visible countersunk screw;  
concealed fixing available as an option\*.

**Finisaj:** standard alb RAL9010; alte nuante RAL  
sau finisaj aluminiu sunt optionale\*.

**Finish:** standard finish is white RAL9010; another  
RAL color or aluminium finish available as option\*.

**Dimensiuni:** se pot produce in orice dimensiune  
intre 100mm x 100mm, pana la un maximum de  
1500mm x 1000mm.

**Dimensions:** sizes ranging from 100mm x 100mm  
to a maximum of 1500mm x 1000mm

**Optional:**

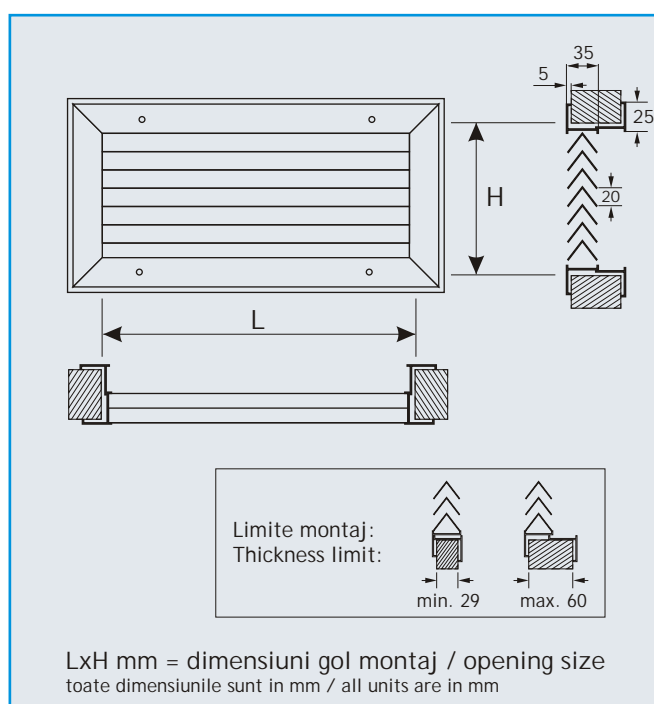
nu exista accesorii optionale

**Options:**

there are no optional accessories

\* optiunile nu sunt incluse in pretul grilei; vezi subcapitolul optiuni

\* options are not included in product price; see options subchapter



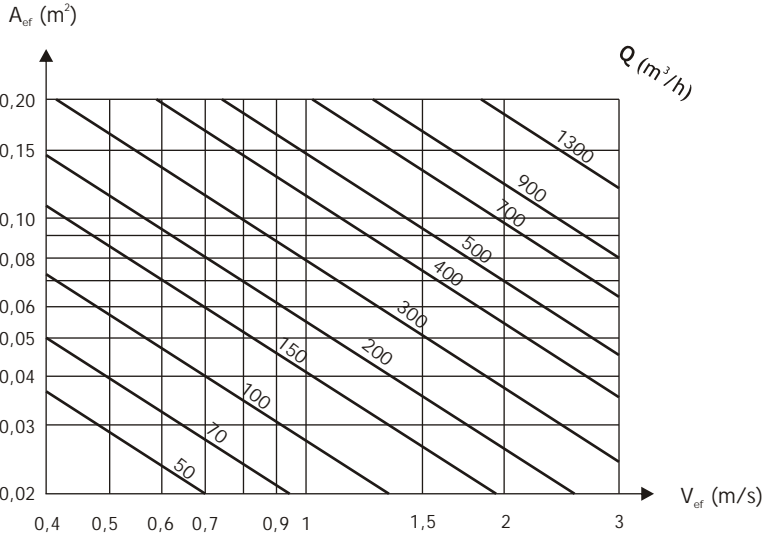
Cod de comanda: / Order code:

|                                                                                          |  |     |   |     |         |    |
|------------------------------------------------------------------------------------------|--|-----|---|-----|---------|----|
| GVA T                                                                                    |  | 300 | x | 200 | RAL9010 | FG |
| cod produs / product code                                                                |  |     |   |     |         |    |
| lungime L / length L (gol montaj / opening size)                                         |  |     |   |     |         |    |
| inaltime H / height H (gol montaj / opening size)                                        |  |     |   |     |         |    |
| RAL9010 (alb/white) - standard                                                           |  |     |   |     |         |    |
| necspecificat / unspecified - fixare cu suruburi vizibile / standard with visible screws |  |     |   |     |         |    |
| FG - fara gauri fixare / without mounting holes in frame**                               |  |     |   |     |         |    |

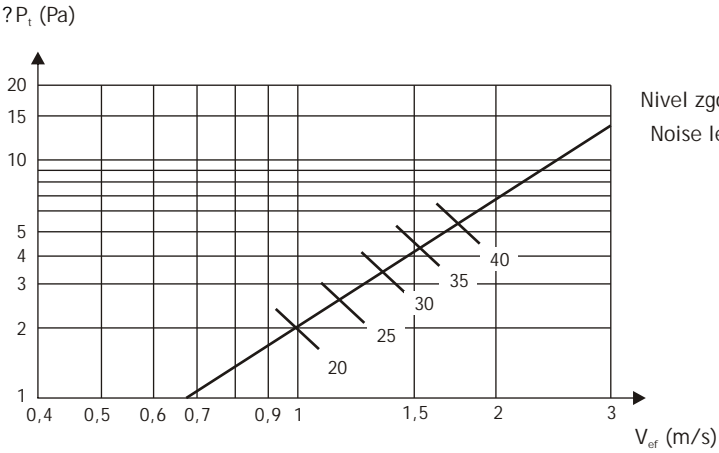
\*\* montaj realizat de beneficiar (de ex. cu adezivi de contact), fara responsabilitate furnizor  
\*\* mounting by customer (for example with contact adhesives), without supplier responsibility

Aria efectiva  $A_{ef}$  a grilelor GVA T  
Effective area  $A_{ef}$  for GVA T

| LxH  | 100   | 150   | 200   | 250   | 300   | 350   | 400   | 450   | 500   | 600   |
|------|-------|-------|-------|-------|-------|-------|-------|-------|-------|-------|
| 150  | 0,006 | 0,009 | -     | -     | -     | -     | -     | -     | -     | -     |
| 200  | 0,008 | 0,012 | 0,015 | -     | -     | -     | -     | -     | -     | -     |
| 250  | 0,01  | 0,014 | 0,02  | 0,024 | -     | -     | -     | -     | -     | -     |
| 300  | 0,012 | 0,017 | 0,023 | 0,029 | 0,035 | -     | -     | -     | -     | -     |
| 350  | 0,014 | 0,02  | 0,027 | 0,034 | 0,041 | 0,048 | -     | -     | -     | -     |
| 400  | 0,016 | 0,023 | 0,031 | 0,039 | 0,047 | 0,055 | 0,062 | -     | -     | -     |
| 450  | 0,017 | 0,026 | 0,035 | 0,044 | 0,053 | 0,061 | 0,07  | 0,079 | -     | -     |
| 500  | 0,02  | 0,029 | 0,039 | 0,049 | 0,059 | 0,068 | 0,078 | 0,088 | 0,097 | -     |
| 600  | 0,023 | 0,035 | 0,047 | 0,059 | 0,07  | 0,082 | 0,094 | 0,105 | 0,117 |       |
| 700  | 0,027 | 0,041 | 0,055 | 0,068 | 0,082 | 0,096 | 0,11  | 0,123 | 0,136 | 0,164 |
| 800  | 0,031 | 0,047 | 0,062 | 0,078 | 0,094 | 0,11  | 0,125 | 0,14  | 0,156 | 0,187 |
| 1000 | 0,039 | 0,059 | 0,078 | 0,098 | 0,117 | 0,137 | 0,156 | 0,176 | 0,195 | 0,234 |



Viteza recomandata: V min-max: 0,75 - 1,25 m/s  
Reccomended velocity: V min-max: 0,75 - 1,25 m/s



$V_{ef} = Q / (A_{ef} \times 3600)$ , unde/where:  
Q (m<sup>3</sup>/h) - debit / air volume  
V<sub>ef</sub> (m/s) - viteza aerului / air velocity  
A<sub>ef</sub> (m<sup>2</sup>) - aria efectiva / effective area  
NR(Noise Rating ISO):  
NR= valoarea/value dB(A)-5