

GRILE DE EXTERIOR
EXTERIOR LOUVRE

CU JALUZELE FIXE SI PLASA METALICA
WITH FIXED BLADES AND WIRE MESH

CODE / COD:

GVA EX

Grile de exterior cu jaluzele fixe inclinate la un unghi de 45 grade, antiploaie, prevazute cu plasa metalica.
Utilizare: priza aer catre exterior (refulare sau aspiratie).
Exterior louvres with fixed 45 degree angle blades, with wire mesh, designed to prevent rain penetration.
Suitable for expelling used air or for fresh air supply.

Fixare: standard cu suruburi vizibile.

Fixing: standard with visible countersunk screw.

Finisaj: standard alb RAL9010; alte nuante RAL sau finisaj aluminiu sunt optionale*.

Finish: standard finish is white RAL9010; another RAL color or aluminium finish available as option*.

Dimensiuni: se pot produce in orice dimensiune intre 100mm x 100mm, pana la un maximum de 2000mm x 2000mm.

Dimensions: sizes ranging from 100mm x 100mm to a maximum of 2000mm x 2000mm.

Optional:

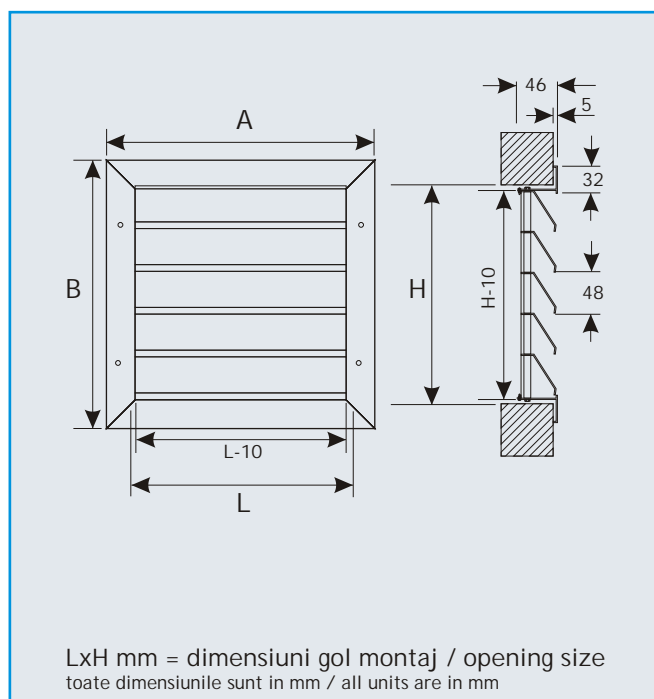
nu exista accesorii optionale

Options:

there are no optional accessories

* optiunile nu sunt incluse in pretul grilei; vezi subcapitolul optiuni

* options are not included in product price; see options subchapter



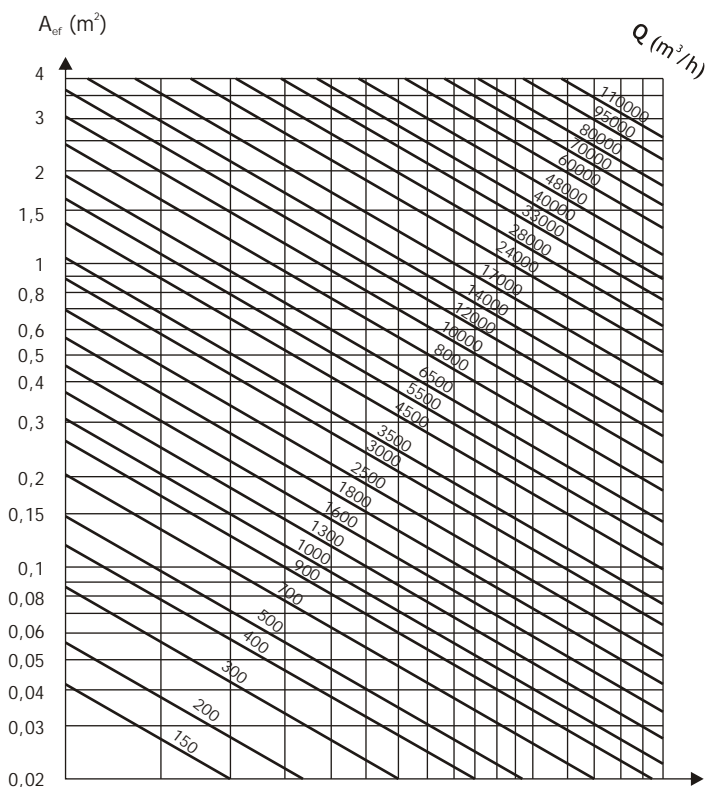
Cod de comanda: / Order code:

GVA EX	500	x	300	RAL9010
cod produs / product code				
lungime L / length L (gol montaj / opening size)				
inaltime H / height H (gol montaj / opening size)				
RAL9010 (alb/white) - standard (sau daca nespecificat) / standard (or if not specified)				
RALxxxx - alte nuante RAL, optional / RAL colors available as an option				
ALU - aluminiu natur / natural aluminium				
nespecificat / unspecified - fixare cu suruburi vizibile / standard with visible screws				
FG - fara gauri fixare / without mounting holes in frame**				

** montaj realizat de beneficiar, fara responsabilitate furnizor / mounting by customer, without supplier responsibility

Aria efectiva A_{ef} a grilelor GVA EX
Effective area A_{ef} for GVA EX

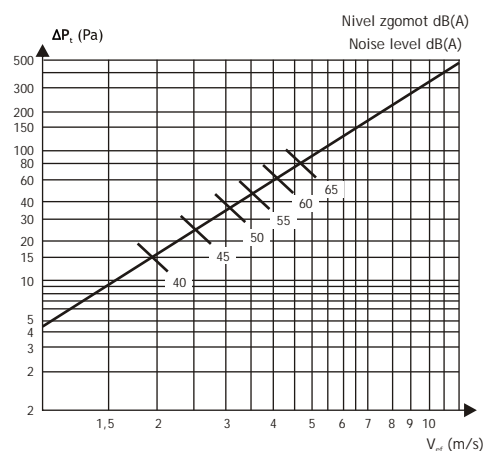
LxH	200	300	400	500	600	700	800	900	1000
200	0,029	-	-	-	-	-	-	-	-
300	0,044	0,067	-	-	-	-	-	-	-
400	0,059	0,089	0,118	-	-	-	-	-	-
500	0,074	0,111	0,148	0,185	-	-	-	-	-
600	0,089	0,133	0,177	0,222	0,266	-	-	-	-
700	0,104	0,155	0,207	0,259	0,311	0,363	-	-	-
800	0,118	0,177	0,237	0,296	0,355	0,414	0,474	-	-
900	0,133	0,2	0,266	0,333	0,4	0,466	0,533	0,599	-
1000	0,148	0,222	0,296	0,37	0,444	0,518	0,592	0,667	0,74
1200	0,177	0,266	0,355	0,444	0,533	0,622	0,71	0,799	0,888
1400	0,207	0,311	0,414	0,518	0,622	0,725	0,829	0,932	1,04
1600	0,237	0,355	0,474	0,592	0,71	0,829	0,947	1,07	1,18
1800	0,266	0,4	0,533	0,665	0,799	0,932	1,07	1,2	1,33
2000	0,296	0,444	0,592	0,74	0,887	1,04	1,18	1,33	1,48



$V_{ef} = Q / (A_{ef} \times 3600)$, unde/where:

Q (m³/h) - debit / air volume
 V_{ef} (m/s) - viteza aerului / air velocity
 A_{ef} (m²) - aria efectiva / effective area

NR(Noise Rating ISO):
 NR= valoarea/value dB(A)-5



Viteza recomandata: V min-max: 2,5 - 4 m/s
 Recommended velocity: V min-max: 2,5 - 4 m/s